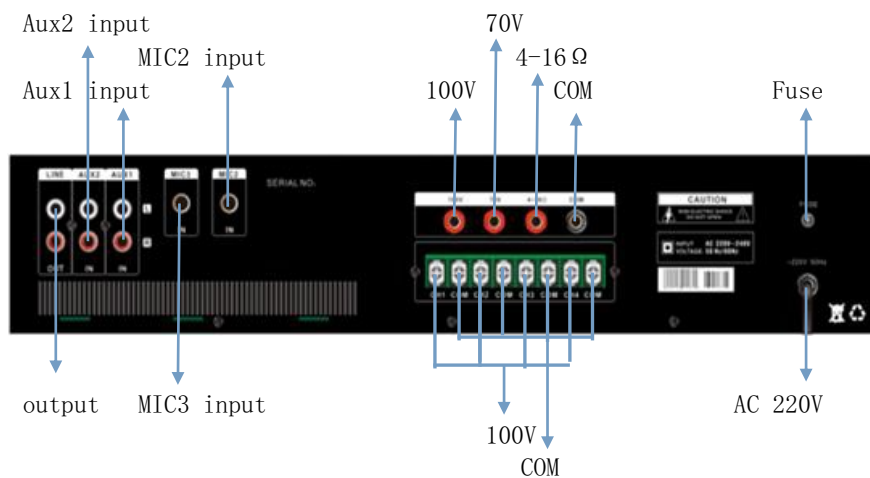


# AMPLIFIER

A-BT-4Z-100W



Model:	A-BT-4Z-100W
Line voltage:	70-100V
Impedance:	4-16Ω
Rated power output:	100W
Weight:(kg)	9
Gross weight:(kg)	11
Dimension:	485*360*90mm
Frequency Responses:	20Hz-18KHz
Power Supply:	110V/60Hz or 230V/50Hz
Protection:	AC fuse,short-circuit and high temperature

## Function:

- 1: Plug play U disk, FM radio, SD,bluetooth,wireless remote control.
- 2: Three microphone inputs. Two auxiliary inputs, and one auxiliary outputs for link.
- 3: Transformer isolated 100V, 70V and 4-16 Ohms speaker outputs.
- 4: A five element LED level meter is provided for quick and easy visual monitoring of the sound level
- 5: Muting function.
- 6: Four zone,Individual volume control, low and high tone control
- 7: Short circuit protection & alarm
- 8: Individual distributor for each channel
- 9: Panel colour : Black or White